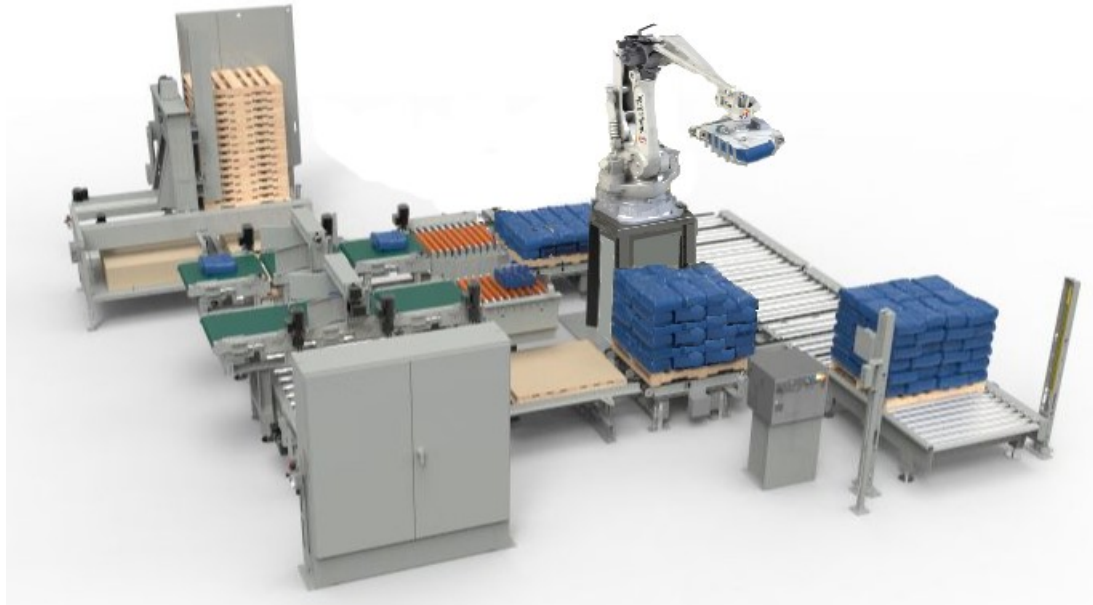


INDUSTRY
 ANY.....

Robotic Palletizer

Packing Line • Check Weighing • Traffic Control • Custom



Available Features

- UL508A / CSA
- NEMA 12/3R/4/4X
- Solvent Rated
- PLC Control
- Data Acquisition
- Remote Control
- Remote Visualization
- Email Notifications
- SMS Alarm Texting

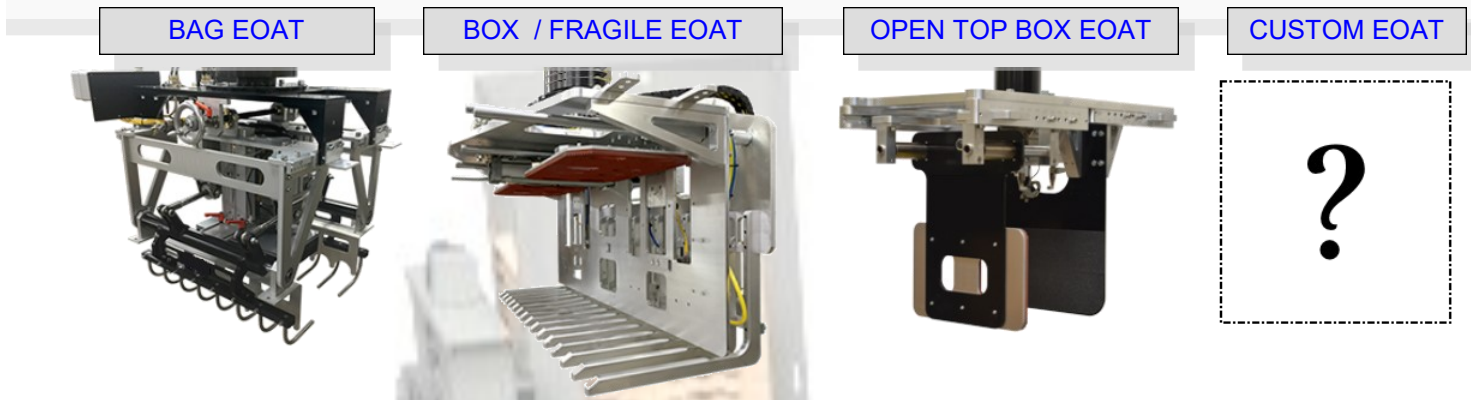
Robotic Palletizing!!! That's science fiction isn't it? This is the response we get from a lot of customer's. Actually, robotic palletizer's have been around for 50 years.

Why not use a conventional palletizer ? That's an easy one to answer, but not a short answer. The best way to answer that is look at the older ones. They are floating around on the used market, or rusting away in a bone yard. This is due to their inability to adapt. Due to their infinite flexibility, Robotic palletizers adapt to your needs and market. They can be used for multiple applications. They grow with you.

	HUMAN	ROBOTIC	CONVENTIONAL
SIZE / LAYOUT	✓	✓	✗
CAN ADAPT	✓	✓	✗
1LB TO 2000 LBS	✗	✓	✗
DIFFERENT PRODUCT TYPE	✓	✓	✗
MUTIPLE INFEEDS	⚠	✓	✗
CAN HANDLE MULTIPLE SKU'S	✓	✓	✗
COST AS PRODUCTION INCREASE	✗ ✗	✓	✓
CALLS IN SICK	✗ ✗ ✗	✓	✓

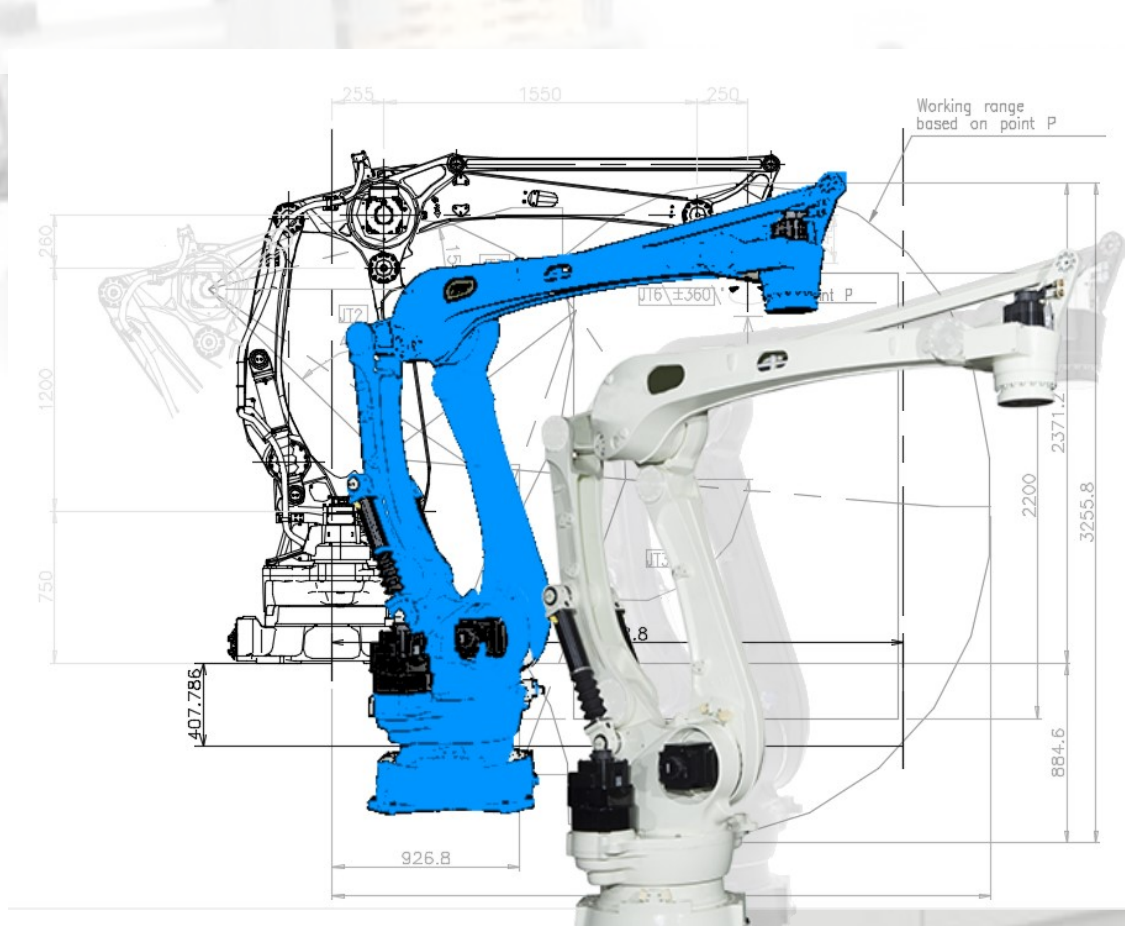
Selecting the EOAT (End Of Arm Tooling)

The key to a successful integration of a robotic cell is the proper selection of EOAT (End Of Arm Tooling). The EOAT needs to handle your product without damaging or dropping it. At the same time it needs to handle it in such a way that inertia and G-Forces do not dislodge it from the tool. Finally, it needs to be light enough as to not require an oversized robot.



Selecting the Robot

Many factors come into play here, weight, speed, flexibility, adaptability, ROI, longevity, just to name a few. That is what we are here for. We will help you select the correct robot and properly size it for your application.



Work with a company that knows not just how to size the robotics, but also all the automation that comes with it.

Auxiliary Equipment

Single Source Engineering

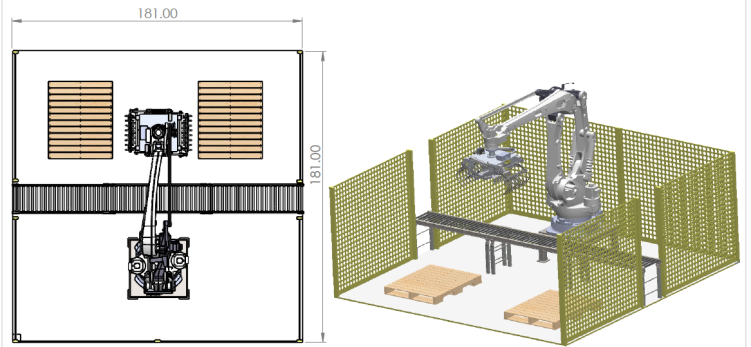
CONVEYORS




STRETCH WRAPPERS



PALLET / SLIP SHEET DISPENSERS



 <p>SILVER LAKE AUTOMATION</p> <p><small>PROPRIETARY AND CONFIDENTIAL THE INFORMATION CONTAINED IN THIS DRAWING IS THE SOLE PROPERTY OF SILVER LAKE. ANY REPRODUCTION, IN PART OR AS A WHOLE WITHOUT THE WRITTEN PERMISSION OF SILVER LAKE IS PROHIBITED.</small></p>	UNLESS OTHERWISE SPECIFIED: DIMENSIONS ARE IN INCHES TOLERANCES: FRACTIONAL (1/16") ANGULAR (MACHINING) BEND ±5° HOLE PLACE DECIMAL ±.015 HOLE PLACE DECIMAL ±.005	NAME DATE	Silver Lake Systems & Design, Inc
	DRAWN BY CHECKED BY	TITLE:	
	ENG APPR. MFG APPR.	Robot Pallet Cell	
	G.A. COMMENTS:	SIZE DWG. NO. REV A CP-180P	SCALE: 1:45 WEIGHT: SHEET 1 OF 1

Central Control System /



ORDERING INFORMATION

Ordering a palletizing system can be as simple as one of our standard robots or as detailed as a completely automate system. The following is some basic information required. Please feel free to talk with your local Silver Lake representative or call our offices to get started.

1. **Production Rate - (Bags / Boxes / Units) per minute** _____
2. **Work Days per year - (Typical is 250)** _____
3. **Units per shift -** _____
4. **Number of Shifts per Day** _____
5. **Hours per Shift** _____
6. **Palletizing pattern - Does it Alternate per level YES / NO How many levels? _____**
Number of units per level _____ (Diagrams and pictures are very helpful.)
7. **Additional Objectives - (for example Check Weigh, Labeling, Quality Vision Scanning...)**

8. **Auxiliary Equipment (Shrink or Stretch Wrap, Pallet Destacker, Conveyors etc...)**

Enter Additional Notes Here. (If more room is required attach sheet)

CLOSE, BUT NOT EXACTLY what you are looking for? Don't worry. Each system is built to order. We like to call it "*Customization at no extra cost*". You are not paying a surcharge for customizing of a standard product. All you pay for is what you add. Our production system has been specially designed to handle custom systems. Tell your sales representative what you want. We'll have a quote out to you right away.

APPROVAL DRAWINGS
 Approval drawings are available for each system. We encourage it. You get to review the system before we build it. Request them with the order.

YOUR LOCAL REPRESENTATIVE